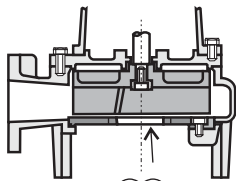




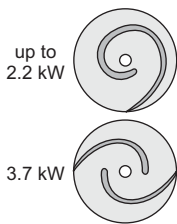
Model DF

Submersible Sewage Pumps

Submersible sewage pump with non-clog semi open impeller, with "cutting effect", to prevent clogging by fibrous matter. Suitable for sewage, waste water, storm water drainage, etc.



"Chrysalis" shaped suction port



Impeller Type & Solids Handling

Semi-Open Non-clog

Model	Ø	65	80
	kW	All	All
Foreign matter Diameter (mm)		40	46
Length of filter (mm)		240	240



Specifications

- Submersible pump with non-clog semi open impeller
- Maximum solids handling: refer to table
- Maximum liquid temperature: 40 °C
- Maximum submergence: 8 m

Materials

- Pump casing: Cast Iron
- Impeller: Cast Iron
- Suction cover: Cast Iron
- Shaft: 403 Stainless Steel
- Motor frame: Cast Iron
- Fasteners: 304 Stainless Steel
- Mechanical seal: Double mechanical seal in oil chamber, Silicon Carbide lower faces, Carbon/Ceramic upper faces.

Motor Data

- Air filled, dry submersible, 4 pole, 50 Hz
- Insulation class F
- IP68 protection
- 3 Phase - 400 Volt
- In built overload protection

Range

- 60 to 80 mm Ø discharge
- 1.5 to 3.7 kW - 3 Phase (Manual only)

Supply

- Cable: 10 m
- Discharge elbow with screwed companion flange

Accessories

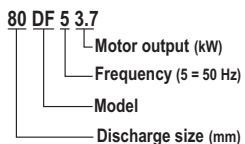
Quick Discharge Connectors (QDC) available

Performance Curve

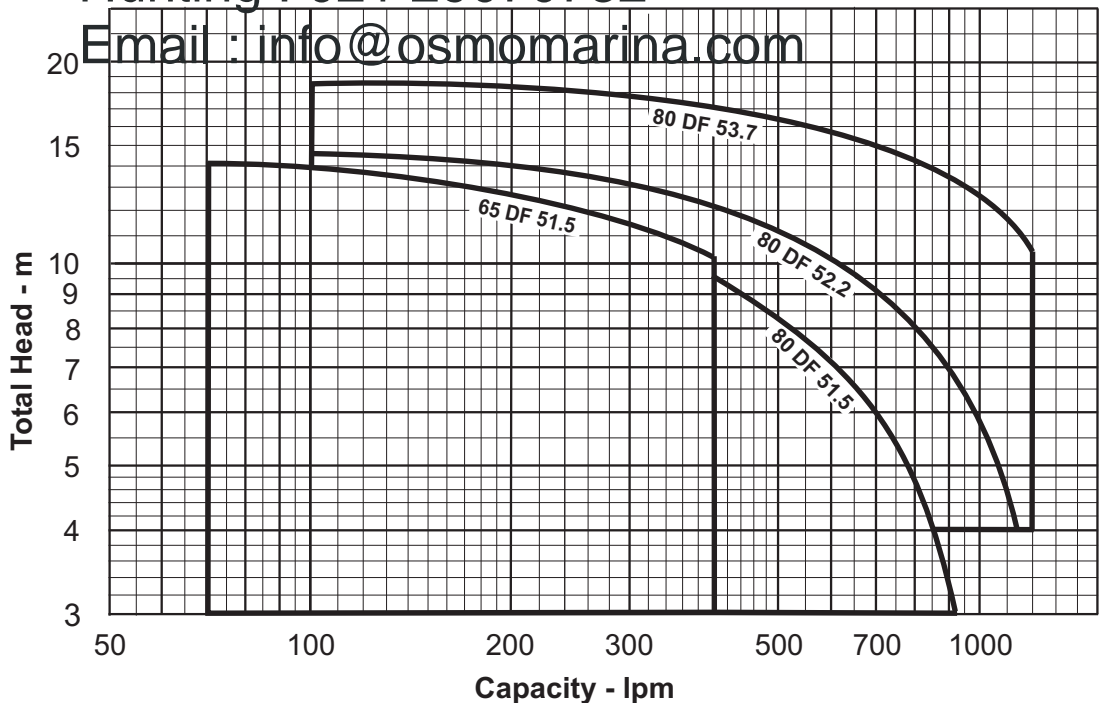
Synchronous Speed: 1500 rpm

Applicable standard of test : ISO 9906 Annex A

Model Code



Performance Table

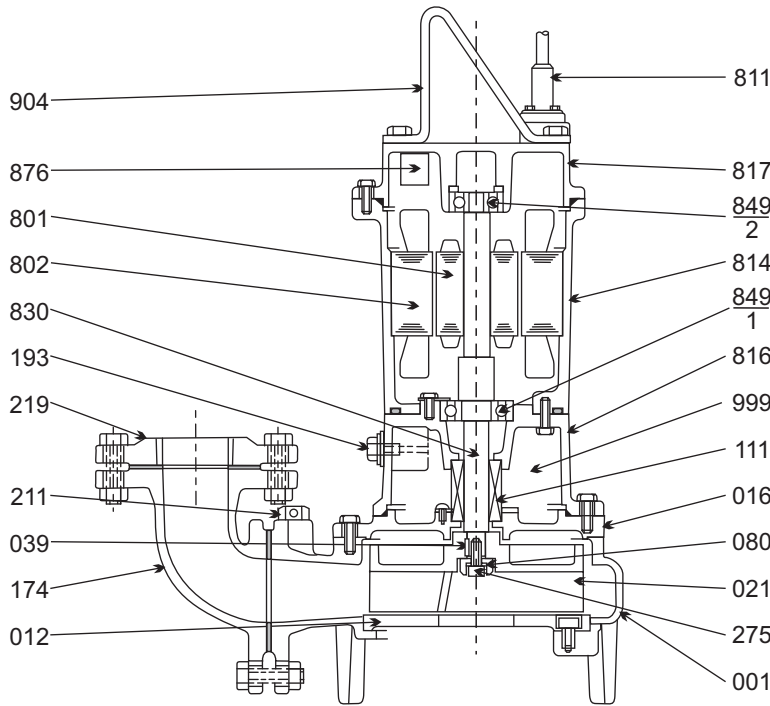


Pump Model	Motor Output	Discharge Ø mm	Full Load Current 3 PH, 400 V	Capacity - lpm									
				200	300	400	500	600	800	1000	1200		
65 DF 51.5	1.5 kW	65 mm	3.9 A	12.6	11.4	10.0	8.5						
80 DF 51.5	1.5 kW	80 mm	3.9 A			9.3	8.2	7.1	4.7				
80 DF 52.2	2.2 kW	80 mm	5.2 A			12.0	11.0	10.0	7.8	5.7			
80 DF 53.7	3.7 kW	80 mm	8.3 A			17.0	16.3	15.6	14.0	12.6	10.4		

Sectional Drawing

Model **DF**

Note: Typical sectional drawing only.



Mechanical Seal Lubricating Oil		
Motor - kW	1.5	2.2 3.7
Capacity - ml	920	1500

No.	Description	Material	Qty.
001	Casing	FC200 Cast Iron	1
012	Suction cover	FC200 Cast Iron	1
016	Mechanical seal cover	FC200 Cast Iron	1
021	Impeller	FC200 Cast Iron	1
039	Impeller key	SUS420 Stainless Steel	1
080	Bushing	St Steel	1
111	Mechanical seal	Silicon Carbide lower faces Carbon vs Ceramic upper faces	1
174	Discharge elbow	FC200 Cast Iron	1
193	Oil plug	SUS304 Stainless Steel	1
211	Air vent valve	C3604 Brass	1
219	Companion flange	FC200 Cast Iron	1
275	Impeller bolt	SUS304 Stainless Steel	1
801	Rotor	-	1
802	Stator	-	1
811	Cable	-	1
814	Motor frame	FC150 Cast Iron	1
816	Lower bracket	FC150 Cast Iron	1
817	Upper bracket	FC150 Cast Iron	1
830	Shaft #	SUS403 Stainless Steel	1
849-1	Ball bearing	-	1
849-2	Ball bearing	-	1
876	Auto cut	-	1
904	Lifting hanger	St Steel	1
999	Oil	Turbine Oil SAE 10W or 20W	*

refers to pump side of shaft material

* See table for oil capacity

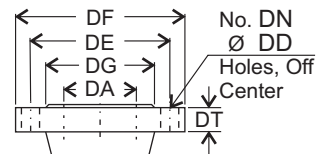
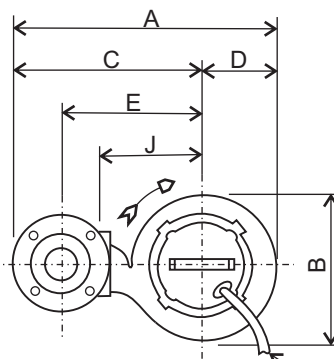
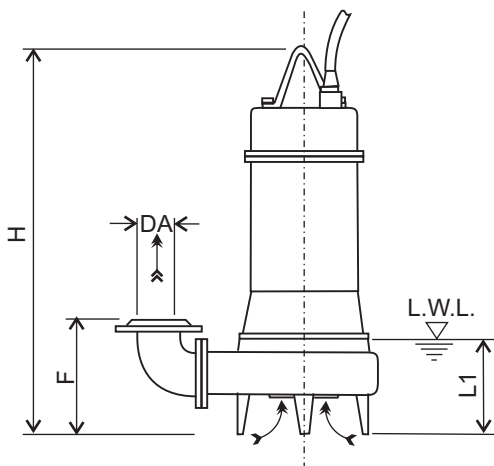
Dimensions

Model **DF**

Units: mm unless otherwise specified

Hunting : 021 29070732
 Email : info@osmromarina.com
 Discharge Pipe Dimensions (JIS 10kgf/cm²)

DA	DE	DF	DG	DT	DN	DD
65	140	174	116	18	4	15
80	150	185	126	18	8	15



- Note:
- L.W.L. (Low Water Level) is limited to 10 minutes operation at low water level.
 - Is limited to 30 minutes operation with water level below top of motor.

Submersible cable Length CL

Size DA	Pump Model	Output kW	Dimensions										Weight kg
			A	B	C	D	E	F	H	J	L1	CL	
65	65 DF 51.5	1.5	497	291	353	144	265	200	576	200	140	10 m	52
	80 DF 51.5	1.5	524	292	378	146	285	220	597	210	165	10 m	55
80	80 DF 52.2	2.2	542	308	388	154	295	220	654	220	165	10 m	67
	80 DF 53.7	3.7	567	328	403	164	310	220	687	235	165	10 m	75

Specifications subject to change without notice



EBARA PUMPS AUSTRALIA PTY. LTD.

Data Sheet
DF 13-03