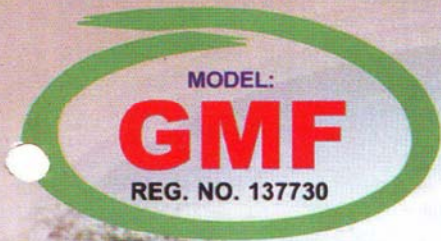




NIAGARA

Pompa NIAGARA "GMF" Centrifugal Mixed Flow, sangat sesuai untuk :
Irigasi, Pertambakan, Perkebunan, Industri, Pengendalian Banjir.

*NIAGARA "GMF" Centrifugal Mixed Flow Pump, is a selected pump for
Irrigation, Fishery, Plantation, Industry, Drainage.*



Cairan / Liquid : Berat jenis / Specific gravity : 1
Suhu / Temperature : Hingga / Up to 40° C
Putaran / Revolution : Berlawanan dengan arah jarum jam,
dilihat dari ujung poros / Counter clockwise
viewed from shaft end

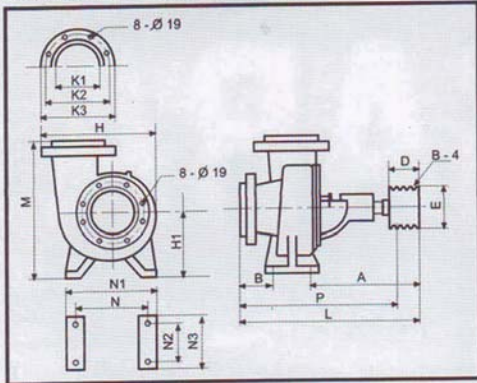
BAHAN / MATERIAL :

- Rumah pompa / Casing : Besi tuang kelabu / Grey Cast Iron
- Kipas pompa / Impeller : Besi tuang kelabu / Grey Cast Iron ; Kuningan / Bronze (untuk tipe marine / for marine use)
- Poros pompa / Shaft : Baja / Steel ; Baja anti karat / Stainless steel (untuk tipe marine / for marine use)

Model	Isap & Buang Suction & Discharge	Putaran r.p.m	Tenaga yang dibutuhkan / Power Required (kW / HP)	SPESIFIKASI / SPECIFICATIONS					
				Kapasitas / Capacity (ℓ / min)	Total Head (m)	Kapasitas / Capacity (ℓ / min)	Total Head (m)	Kapasitas / Capacity (ℓ / min)	Total Head (m)
GMF 8-1	8" - 8"	1250	11 / 14,74	6200 - 8,2	5000 - 9,5	3800 - 11			
		1350	13,7 / 18,36	6600 - 9	5800 - 10	4200 - 12			
		1450	16,5 / 22,11	6900 - 10	6000 - 11	4700 - 13			

1 kW = 1,360 PS 1 kW = 1,340 HP 1 m = 3,281 feet = 1,421 psi 1 ℓ / Min = 0,2199 IMP gal / min
Spesifikasi dapat berubah tanpa pemberitahuan terlebih dahulu / Specifications are subject to change without prior notice .

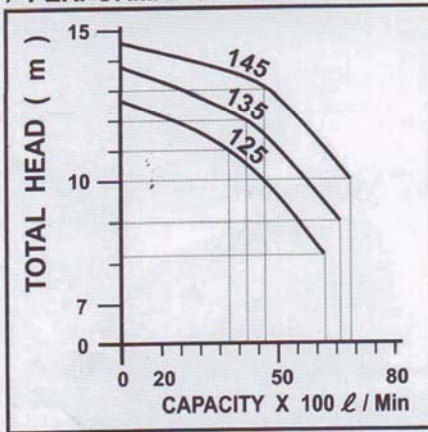
DIMENSI / DIMENSIONS



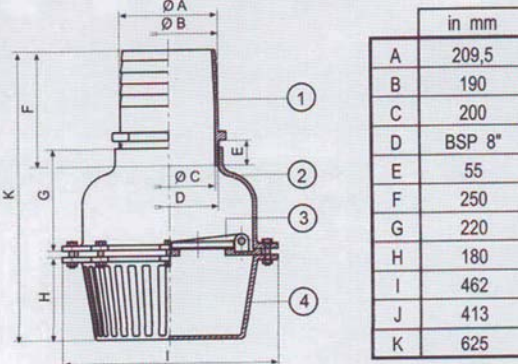
K1	K2	K3	M	H	H1	N1	N2	N3	N	B	A	P	L	D	E	Berat / Weight (kg)
200	280	320	510	465	233	400	180	240	335	105	418	653	708	85	214	123

Ukuran dalam mm / in mm

GRAFIK KARAKTERISTIK / PERFORMANCE CURVE



FOOT VALVE

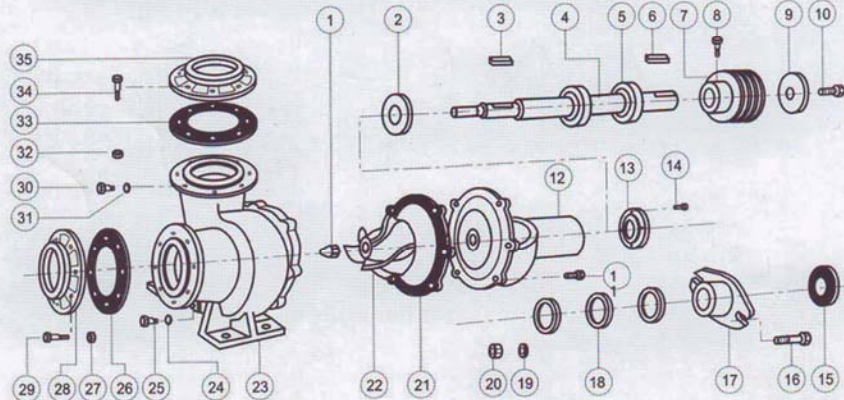


NAMA KOMPONEN / COMPONENT

No.	Nama / Name	Jumlah / Q'ty	Bahan / Material
1	Shock	1	Fc-25
2	Valve house	1	Fc-25
3	Valve	2	Fc-25 & Karet
4	Strainer	1	Fc-25

Bentuk dan ukuran FOOT VALVE sangat mempengaruhi unjuk kerja pompa GMF
Form & size of FOOT VALVE shall effect performance of the pump.

KOMPONEN POMPA / PART LIST model : GMF 8-1



NAMA KOMPONEN / PART NAME

- | | | | | |
|----------------------|-------------------------|---------------------|----------------------------|-----------------------------|
| 1. Impeller nut | 8. V pulley bolt borg | 15. Deflector | 22. Impeller | 29. Suction flange bolt |
| 2. Bearing cover, in | 9. Washer, stopper | 16. Gland bolt | 23. Casing | 30. Priming cap |
| 3. Impeller key | 10. Bolt, stopper | 17. Gland | 24. Drain cap packing | 31. Priming cap packing |
| 4. Shaft | 11. Bracket bolt | 18. Packing | 25. Drain cap | 32. Delivery flange nut |
| 5. Ball bearing | 12. Bracket | 19. Gland washer | 26. Suction flange packing | 33. Delivery flange packing |
| 6. V pulley key | 13. Bearing cover, out | 20. Gland nut | 27. Suction flange nut | 34. Delivery flange bolt |
| 7. V pulley | 14. Bearing cover, bolt | 21. Bracket packing | 28. Suction flange | 35. Delivery flange |