

-  Clean water
-  Civil use
-  Agricultural use
-  Industrial use



PERFORMANCE RANGE

- Flow rate up to **900 l/min** (54 m³/h)
- Head up to **106 m**

APPLICATION LIMITS

- Manometric suction lift up to **7 m**
- Liquid temperature between **-10 °C** and **+90 °C**
- Ambient temperature between **-10 °C** and **+40 °C**
- Max. working pressure **11 bar**
- Continuous service **S1**

CONSTRUCTION AND SAFETY STANDARDS

EN 60335-1
IEC 60335-1
CEI 61-150

EN 60034-1
IEC 60034-1
CEI 2-3



CERTIFICATIONS

Company with management system certified DNV
ISO 9001: QUALITY
ISO 14001: ENVIRONMENT

INSTALLATION AND USE

Suitable for use with clean water and with liquids that are not chemically aggressive towards the materials from which the pump is made. As a result of their reliability and the fact that they are easy to use, these pumps are widely used in civil, agricultural and industrial applications such as for supplying water, in air conditioning and cooling systems, for irrigation, etc. The pump should be installed in an enclosed environment or sheltered from inclement weather.

PATENTS - TRADE MARKS - MODELS

- Registered EU Design n. 002098434 for CP 160, CP 210, CP 750-N
- Registered Italian model n. 72753 for CP 680, CP 700

OPTIONS AVAILABLE ON REQUEST

- Special mechanical seal
- EN 10088-3 - 1.4401 (AISI 316) stainless steel pump shaft for CP 680, CP 700, 750
- Other voltages
- IP X5 class protection for CP 160

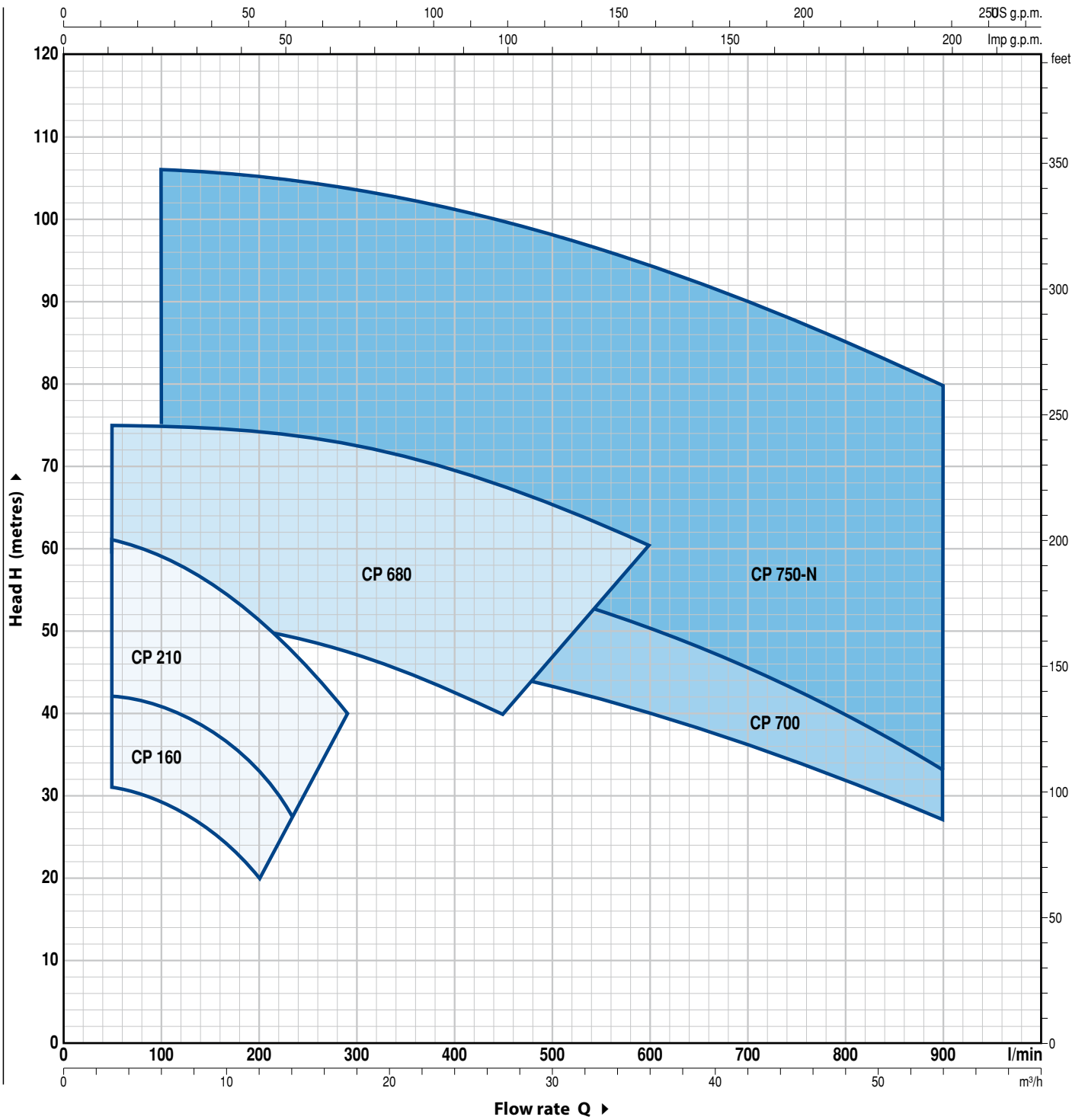
GUARANTEE

2 years subject to terms and conditions

PT. Osmo Marina Mandiri
 hunting : (021) 29070732
 www.osmomarina.com

PERFORMANCE RANGE

60 Hz n= 3450 min⁻¹ HS= 0 m

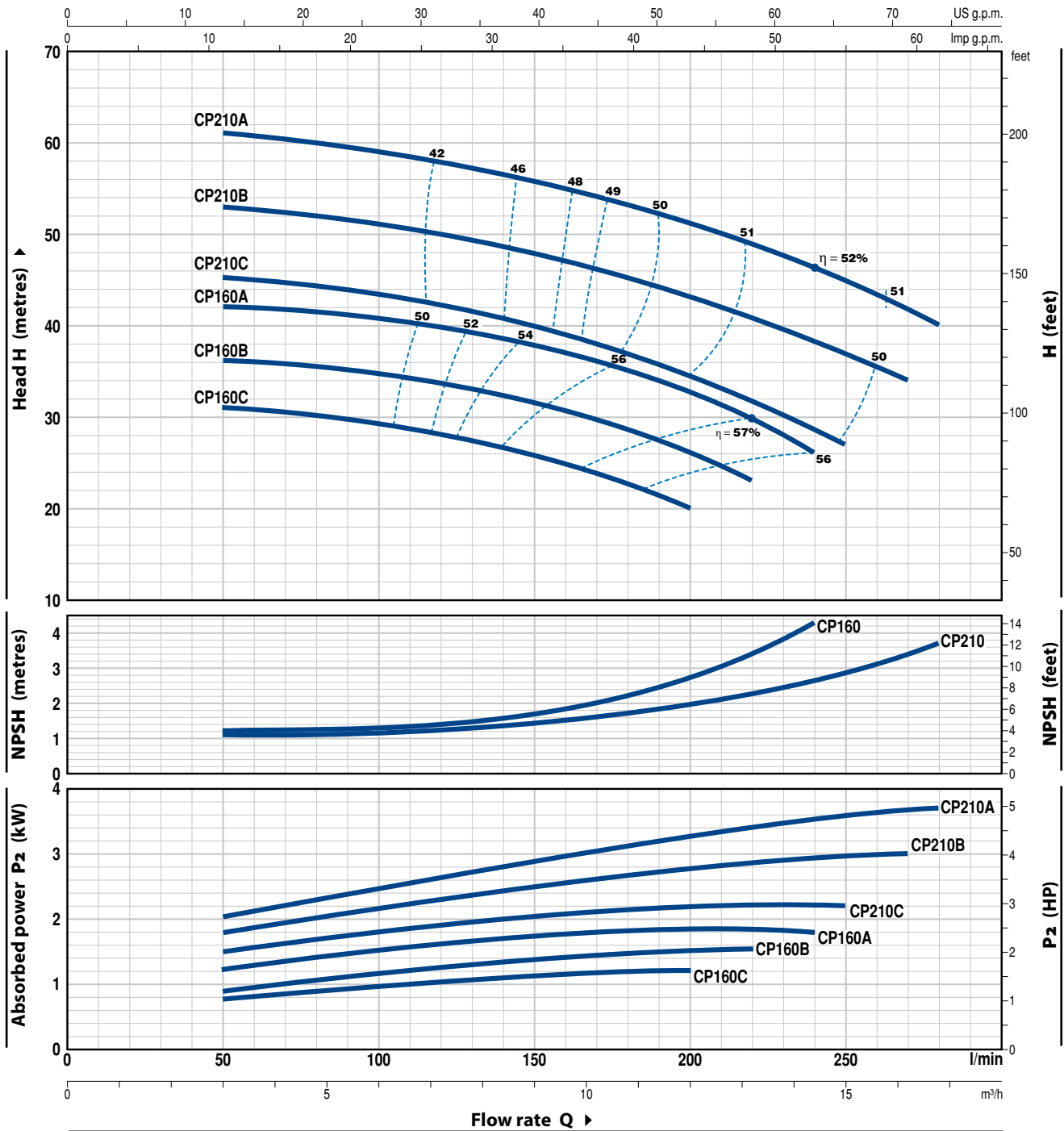


PT. Osmo Marina Mandiri
 hunting : (021) 29070732
www.osmomarina.com

CP 160-210

CHARACTERISTIC CURVES AND PERFORMANCE DATA

60 Hz n = 3450 min⁻¹ HS = 0 m



MODEL		POWER (P ₂)			Q	Flow rate Q															
Single-phase	Three-phase	kW	HP	▲		m ³ /h	0	3	4.5	6	7.5	9	10.5	12	13.2	14.4	15	16.2	16.8		
					l/min	0	50	75	100	125	150	175	200	220	240	250	270	280			
CPm 160C	CP 160C	1.1	1.5	IE2	H metres	32	31	30.5	29.5	28	26	23	20								
CPm 160B	CP 160B	1.5	2	IE3		37	36	35.5	34.5	33.5	31.5	29	26.5	23							
-	CP 160A	2.2	3			43	42	41.5	40.5	39.5	38	35.5	33	30	26						
CPm 210C	CP 210C	2.2	3			46	45.5	44.5	43.5	42	40	37.5	34.5	32	28.5	27					
-	CP 210B	3	4			54	53	52	51	49.5	48	45.5	43	40	38.5	37	34				
-	CP 210A	4	5.5			61	61	60	59	57.5	56	53.5	51	49	46.5	45	42	40			

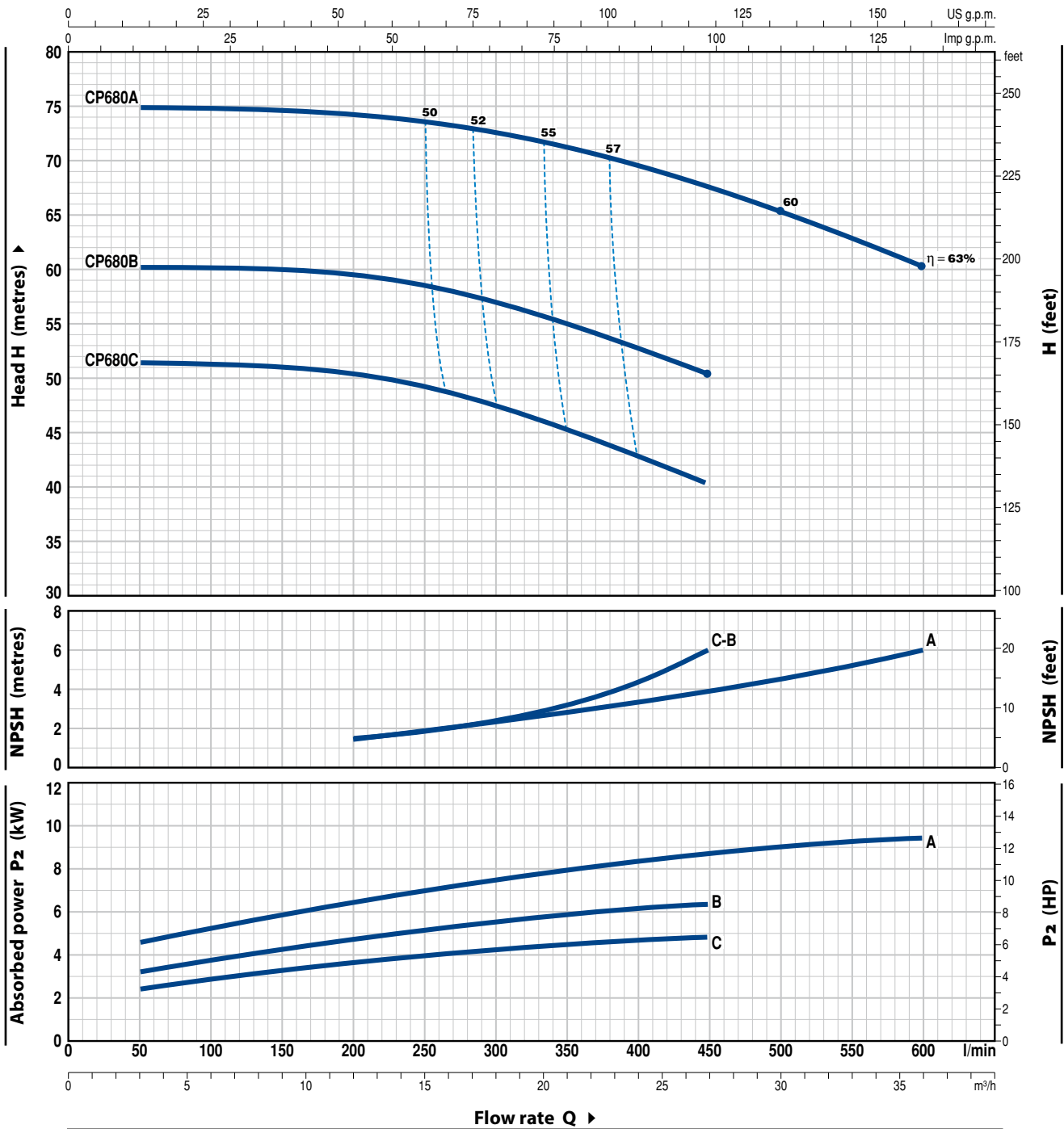
Q = Flow rate H = Total manometric head HS = Suction height PT. Osmo Marina Mandiri hunting : (021) 29070732

▲ Performance class of the three-phase motor (IEC-60034-30)

www.osmomarina.com

CHARACTERISTIC CURVES AND PERFORMANCE DATA

60 Hz n = 3450 min⁻¹ HS = 0 m



MODEL		POWER (P ₂)		▲	Q	m ³ /h															
Single-phase	Three-phase	kW	HP			0	3	6	9	12	15	18	21	24	27	30	33	36			
					l/min	0	50	100	150	200	250	300	350	400	450	500	550	600			
CPm 680C	CP 680C	4	5.5	IE3	H metres	52	51.5	51	50.8	50.3	49	47.5	45	43	40						
-	CP 680B	5.5	7.5			61	60.5	60	59.5	59	58.5	57	55	52.5	50						
-	CP 680A	7.5	10			75	75	74.5	74.3	74	73.5	72.5	71	68.5	67.3	65	62.8	60			

Q = Flow rate H = Total manometric head HS = Suction height

Tolerance of characteristic curves in compliance with EN ISO 9906 Grade 3B.

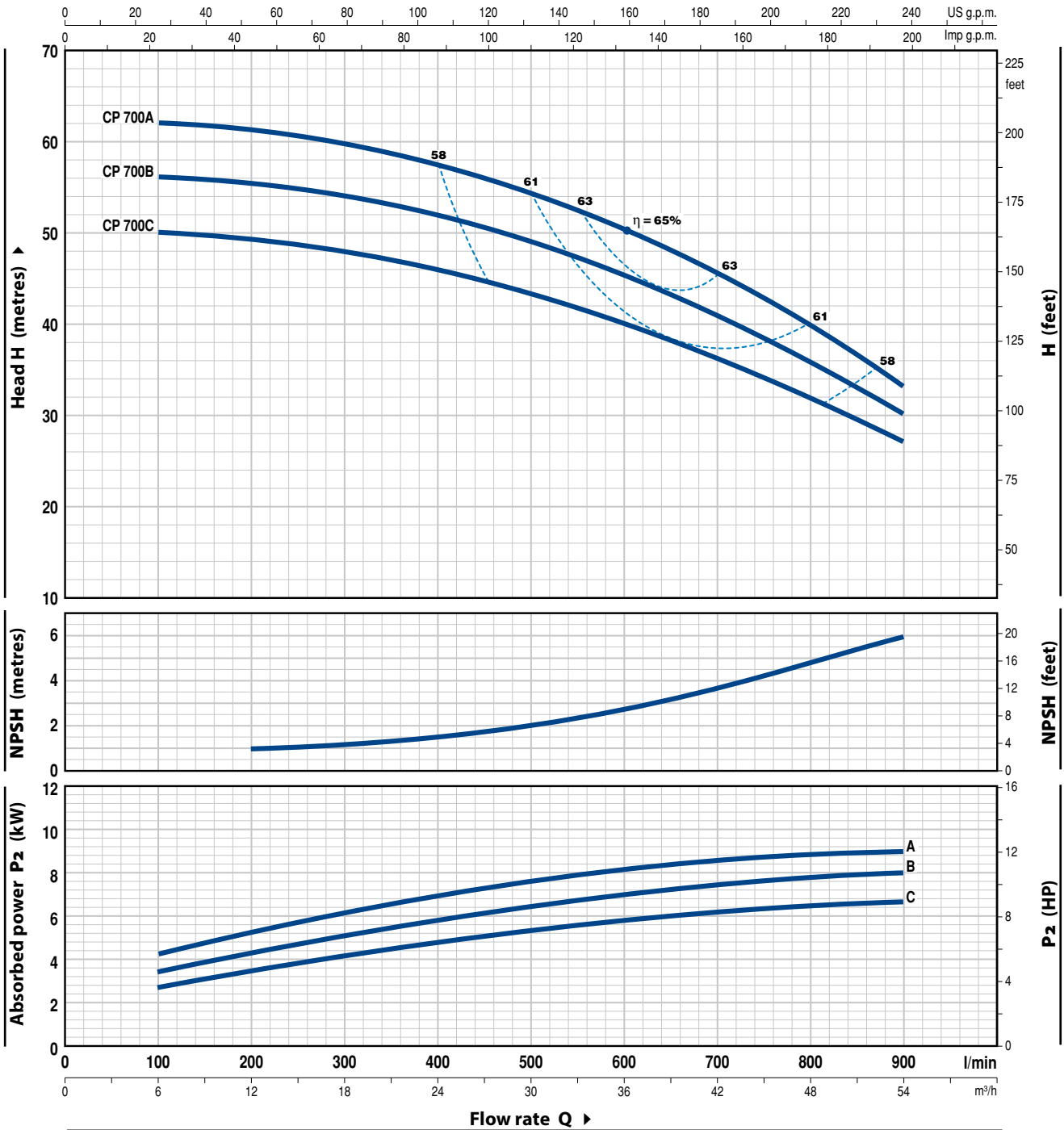
▲ Performance class of the three-phase motor (IEC-60034-30)

PT. Osmo Marina Mandiri
 hunting : (021) 29070732
 www.osmomarina.com

CP 700

CHARACTERISTIC CURVES AND PERFORMANCE DATA

60 Hz n = 3450 min⁻¹ HS = 0 m



MODEL	POWER (P ₂)		▲	Q	Flow rate Q												
	kW	HP			0	6	12	18	24	30	36	42	48	54			
Three-phase					0	100	200	300	400	500	600	700	800	900			
CP 700C	5.5	7.5	IE3	H metres	51	50	49.5	48	46	43.5	40	36.5	32	27			
CP 700B	7.5	10			56	56	55.5	54	52	49	45.5	41	36	30			
CP 700A	9	12.5			62	62	61.5	60	57.5	54.5	50.5	45.5	39.5	33			

Q = Flow rate H = Total manometric head HS = Suction height

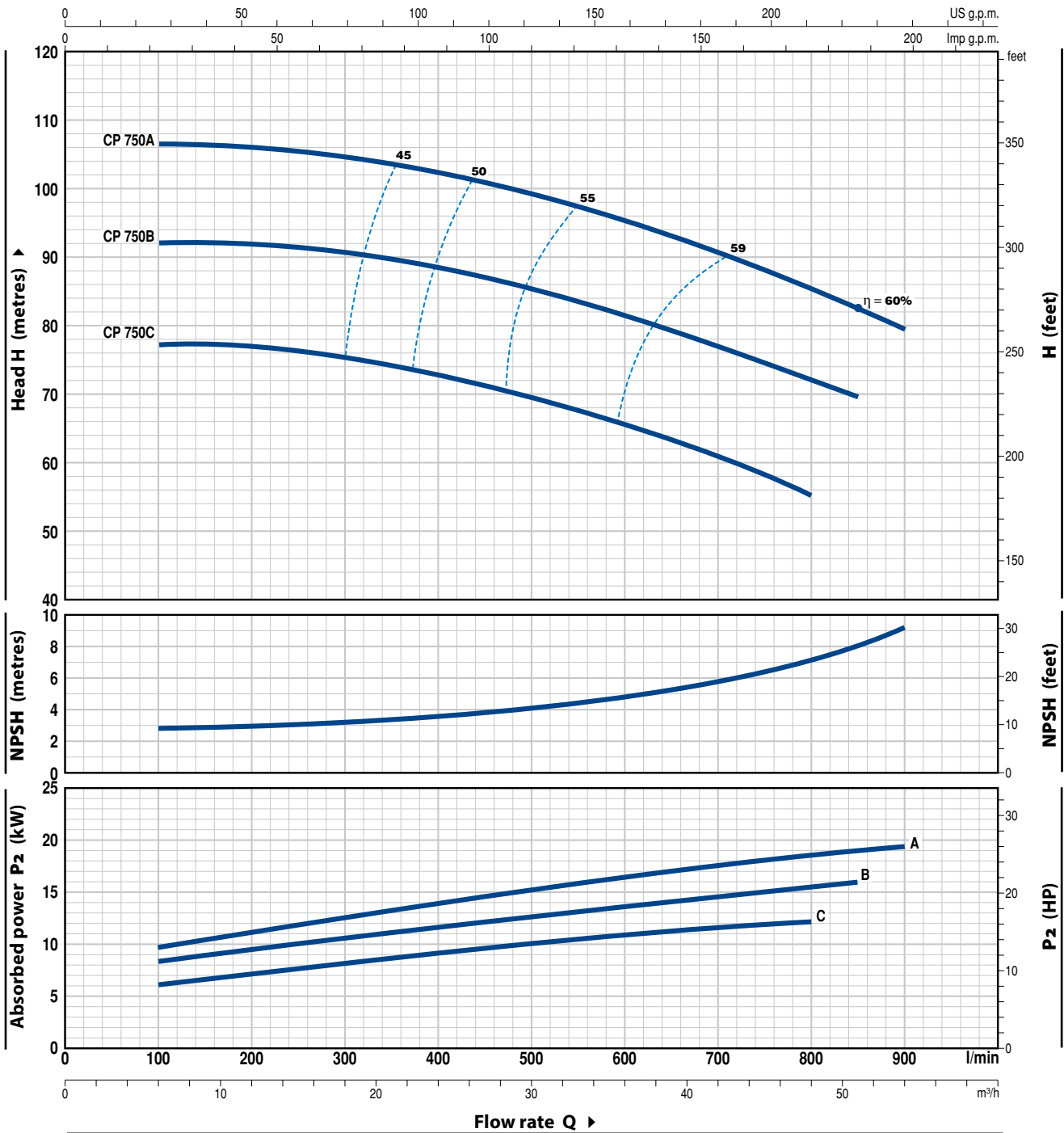
Tolerance of characteristic curves in compliance with EN ISO 9906 Grade 3B.

▲ Performance class of the three-phase motor (IEC-60034-30)

PT. Osmo Marina Mandiri
 hunting : (021) 29070732
 www.osmomarina.com

CHARACTERISTIC CURVES AND PERFORMANCE DATA

60 Hz n = 3450 min⁻¹ HS = 0 m



MODEL	POWER (P ₂)		▲	Q	Flow rate												
	kW	HP			0	6	12	18	24	30	36	42	48	51	54		
Three-phase				l/min	0	100	200	300	400	500	600	700	800	850	900		
CP 750C-N	11	15	IE3	H metres	77.3	77.3	77.2	75.5	72.5	69.3	65.5	61.2	55.1				
CP 750B-N	15	20		92	92	92	90.8	88.5	85.2	81.2	77	72.3	69.5				
CP 750A-N	18.5	25		106.6	106.6	106	105	102.5	99.5	95.5	91	85.5	83	79.6			

Q = Flow rate H = Total manometric head HS = Suction height

Tolerance of characteristic curves in compliance with EN ISO 9906 Grade 3B.

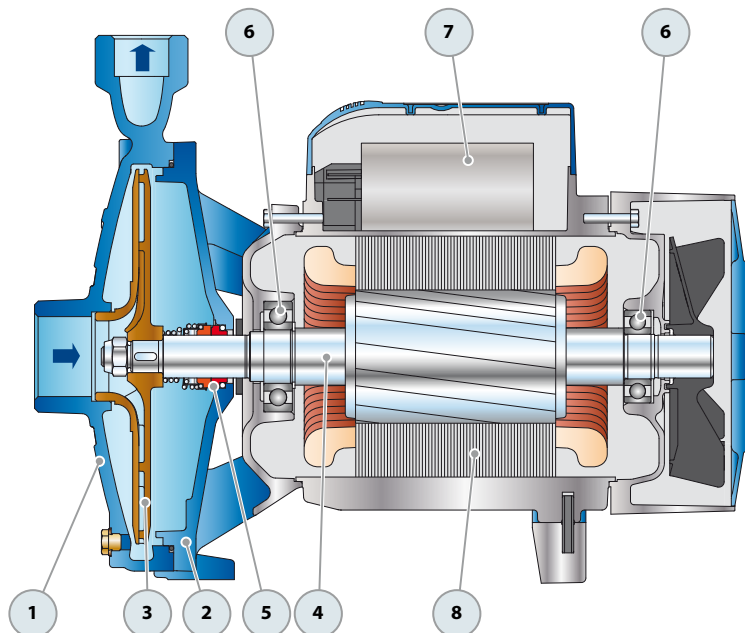
▲ Performance class of the three-phase motor (IEC-60034-30)

PT. Osmo Marina Mandiri
 hunting : (021) 29070732
 www.osmomarina.com

CP 160-210

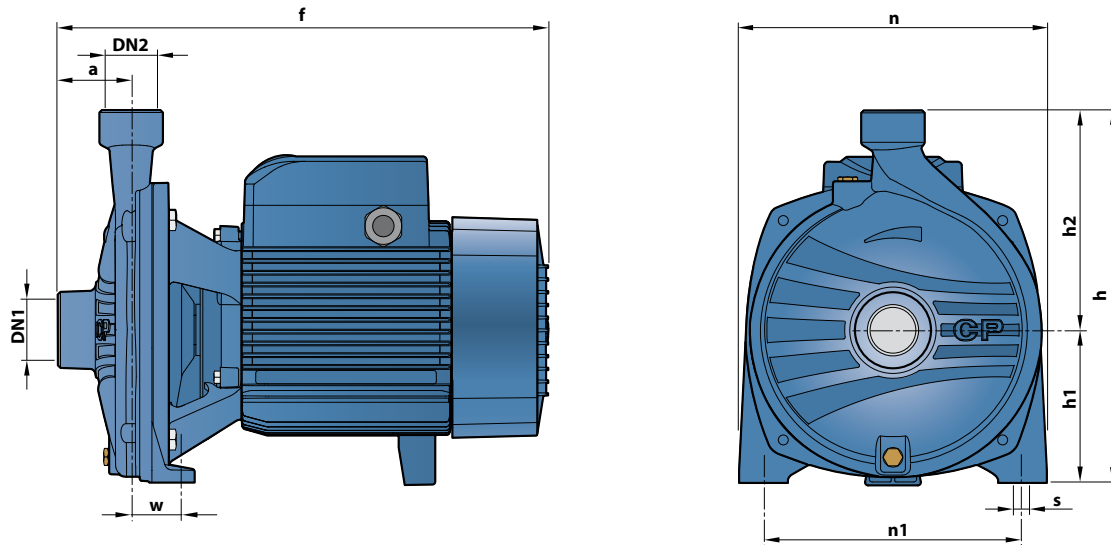
POS. COMPONENT CONSTRUCTION CHARACTERISTICS

1	PUMP BODY	Cast iron complete with threaded ports in compliance with ISO 228/1					
2	BODY BACKPLATE	Cast iron					
3	IMPELLER	Brass					
4	MOTOR SHAFT	Stainless steel EN 10088-3 - 1.4104					
5	MECHANICAL SEAL	<i>Pump</i>	<i>Seal</i>	<i>Shaft</i>	<i>Materials</i>		
		<i>Model</i>	<i>Model</i>	<i>Diameter</i>	<i>Stationary ring</i>	<i>Rotational ring</i>	<i>Elastomer</i>
		CP 160	FN-18	Ø 18 mm	Graphite	Ceramic	NBR
		CP 210	FN-24	Ø 24 mm	Graphite	Ceramic	NBR
6	BEARINGS	<i>Pump</i>	<i>Model</i>				
		CP 160	6204 ZZ / 6204 ZZ				
		CP 210	6206 ZZ - C3 / 6205 ZZ				
7	CAPACITOR	<i>Pump</i>	<i>Capacitance</i>				
		<i>Single-phase</i>	(220 V)	(110 V or 127 V)			
		CPm 160C	31.5 µF - 450 VL	60 µF - 250 VL			
		CPm 160B	45 µF - 450 VL	80 µF - 250 VL			
		CPm 210C	70 µF - 450 VL	-			
8	ELECTRIC MOTOR	<p>CPm: single-phase 220 V - 60 Hz with thermal overload protector incorporated into the winding (up to 1.5 kW).</p> <p>CP: three-phase 220/380 V - 60 Hz or 220/440 V - 60 Hz.</p> <p>➔ The three-phase pumps are fitted with high performance motors up to P2=1.1kW in class IE2 and from P2=1.5kW in class IE3 (IEC 60034-30-1)</p> <p>- Insulation: class F</p> <p>- Protection: IP X4</p>					



PT. Osmo Marina Mandiri
 hunting : (021) 29070732
 www.osmomarina.com

DIMENSIONS AND WEIGHT



MODEL		PORTS		DIMENSIONS mm									kg	
Single-phase	Three-phase	DN1	DN2	a	f	h	h1	h2	n	n1	w	s	1~	3~
CPm 160C	CP 160C	1½"	1"	54	373	260	110	150	207	165	44.5	11	19.7	17.7
CPm 160B	CP 160B												21.0	21.0
-	CP 160A												-	21.0
CPm 210C	CP 210C			60	402	305	125	180	252	210	39.5	11	26.0	27.5
-	CP 210B												-	30.0
-	CP 210A												-	32.0

ABSORPTION

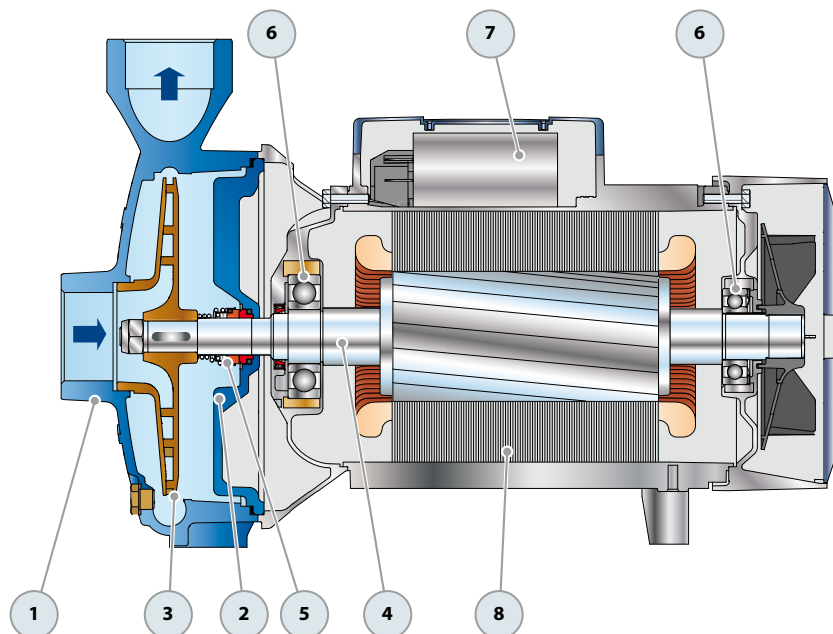
MODEL	VOLTAGE		
	220 V	110 V	127 V
CPm 160C	9.0 A	18.0 A	16.5 A
CPm 160B	10.5 A	21.0 A	19.3 A
CPm 210C	15.0 A	-	-

MODEL	VOLTAGE			
	220 V	380 V	220 V	440 V
CP 160C	6.1 A	3.5 A	5.5 A	3.0 A
CP 160B	6.9 A	4.0 A	6.9 A	3.7 A
CP 160A	9.5 A	5.5 A	9.2 A	4.9 A
CP 210C	9.0 A	5.1 A	8.6 A	4.8 A
CP 210B	13.0 A	7.5 A	11.5 A	6.0 A
CP 210A	18.2 A	10.5 A	16.0 A	9.0 A

CP 680-700-750

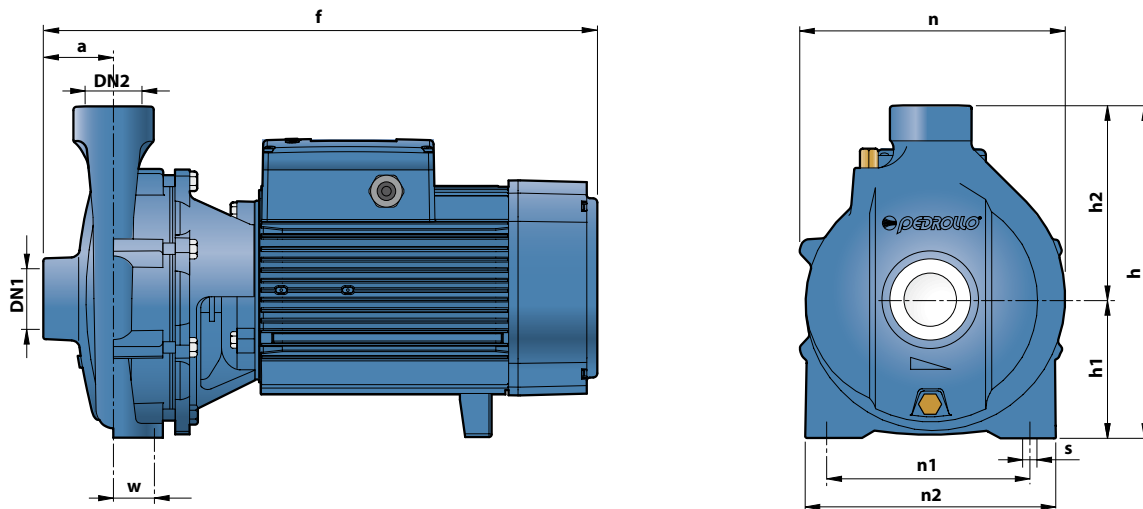
POS. COMPONENT CONSTRUCTION CHARACTERISTICS

1	PUMP BODY	Cast iron complete with NPT ANSI B 1.20.1 threaded ports					
2	BODY BACKPLATE	Cast iron					
3	IMPELLER	Brass for CP 680, CP 700 Cast iron for CP 750-N					
4	MOTOR SHAFT	Stainless steel EN 10088-3 - 1.4104					
5	MECHANICAL SEAL	<i>Pump Model</i>	<i>Seal Model</i>	<i>Shaft Diameter</i>	<i>Materials</i> <i>Stationary ring</i> <i>Rotational ring</i> <i>Elastomer</i>		
		CP 680 CP 700	FN-24	Ø 24 mm	Graphite	Ceramic	NBR
		CP 750-N	FN-32 NU	Ø 32 mm	Graphite	Ceramic	NBR
6	BEARINGS	<i>Pump Model</i>	<i>Model</i>				
		CP 680 CP 700	6307 ZZ - C3 / 6206 ZZ - C3				
		CP 750-N	6310 ZZ - C3 / 6308 ZZ - C3				
7	CAPACITOR	<i>Pump Single-phase</i>	<i>Capacitance (220 V)</i>				
		CPm 680C	90 µF - 450 VL				
8	ELECTRIC MOTOR	CPm: single-phase 220 V - 60 Hz. CP: three-phase 220/380 V - 60 Hz or 220/440 V - 60 Hz. ⇒ The three-phase pumps are fitted with high performance motors in class IE3 (IEC 60034-30-1) – Insulation: class F – Protection: IP X5					



PT. Osmo Marina Mandiri
 hunting : (021) 29070732
www.osmomarina.com

DIMENSIONS AND WEIGHT



MODEL		PORTS		DIMENSIONS mm										kg	
Single-phase	Three-phase	DN1	DN2	a	f	h	h1	h2	n	n1	n2	w	s	1~	3~
CPm 680C	CP 680C	2"	2"	70	505/460	328	136	192	273	190	250	40	14	47.0	42.0
-	CP 680B				-									47.0	
-	CP 680A				-									51.0	
-	CP 700C				-									47.0	
-	CP 700B			-	51.0										
-	CP 700A			-	51.5										
-	CP 750C-N			65	571	392	160	232	322	230	294	45	14	-	103.0
-	CP 750B-N				666									-	120.0
-	CP 750A-N				-									135.6	

ABSORPTION

MODEL	VOLTAGE
Single-phase	220 V
CPm 680C	28.0 A

MODEL	VOLTAGE			
	220 V	380 V	220 V	440 V
Three-phase				
CP 680C	20.5 A	12.0 A	18.3 A	10.6 A
CP 680B	25.1 A	14.5 A	21.8 A	12.6 A
CP 680A	34.6 A	20.0 A	32.0 A	18.5 A
CP 700C	27.7 A	16.0 A	23.5 A	13.6 A
CP 700B	33.8 A	19.5 A	28.2 A	16.7 A
CP 700A	34.7 A	20.0 A	29.8 A	17.5 A
CP 750C-N	41.2 A	23.8 A	41.2 A	23.8 A
CP 750B-N	52.8 A	30.5 A	52.0 A	27.0 A
CP 750A-N	62.6 A	36.2 A	65.0 A	34.0 A

PT. Osmo Marina Mandiri
 hunting : (021) 29070732
www.osmomarina.com