

AL-RED

Stainless steel centrifugal pump

-  Clean water
-  Domestic use
-  Agricultural use
-  Industrial use



PERFORMANCE RANGE

- Maximum flow rate **160 l/min** (9.6 m³/h)
- Maximum head **23 m**

APPLICATION LIMITS

- Manometric suction lift up to **7 m**
- Liquid temperature between **-10 °C** and **+90 °C**
- Ambient temperature between **-10 °C** and **+40 °C**
- Max. working pressure **4 bar**
- Continuous service **S1**

CONSTRUCTION AND SAFETY STANDARDS

EN 60335-1 EN 60034-1
IEC 60335-1 IEC 60034-1
CEI 61-150 CEI 2-3



EU REGULATION N. 547/2012

CERTIFICATIONS

Company with management system certified DNV
ISO 9001: QUALITY
ISO 14001: ENVIRONMENT



INSTALLATION AND USE

Suitable for use with clean water and with liquids that are not chemically aggressive towards the materials from which the pump is made. Because of its design features this centrifugal pump is recommended for use in domestic, agricultural and industrial applications. All the components in contact with the pumped liquid are in stainless steel AISI 304 thus guaranteeing complete hygiene and maximum resistance against corrosion. The pump should be installed in an enclosed environment or sheltered from inclement weather.

PATENTS - TRADE MARKS - MODELS

- Registered Trade Mark n. 0001575587 AL-RED®

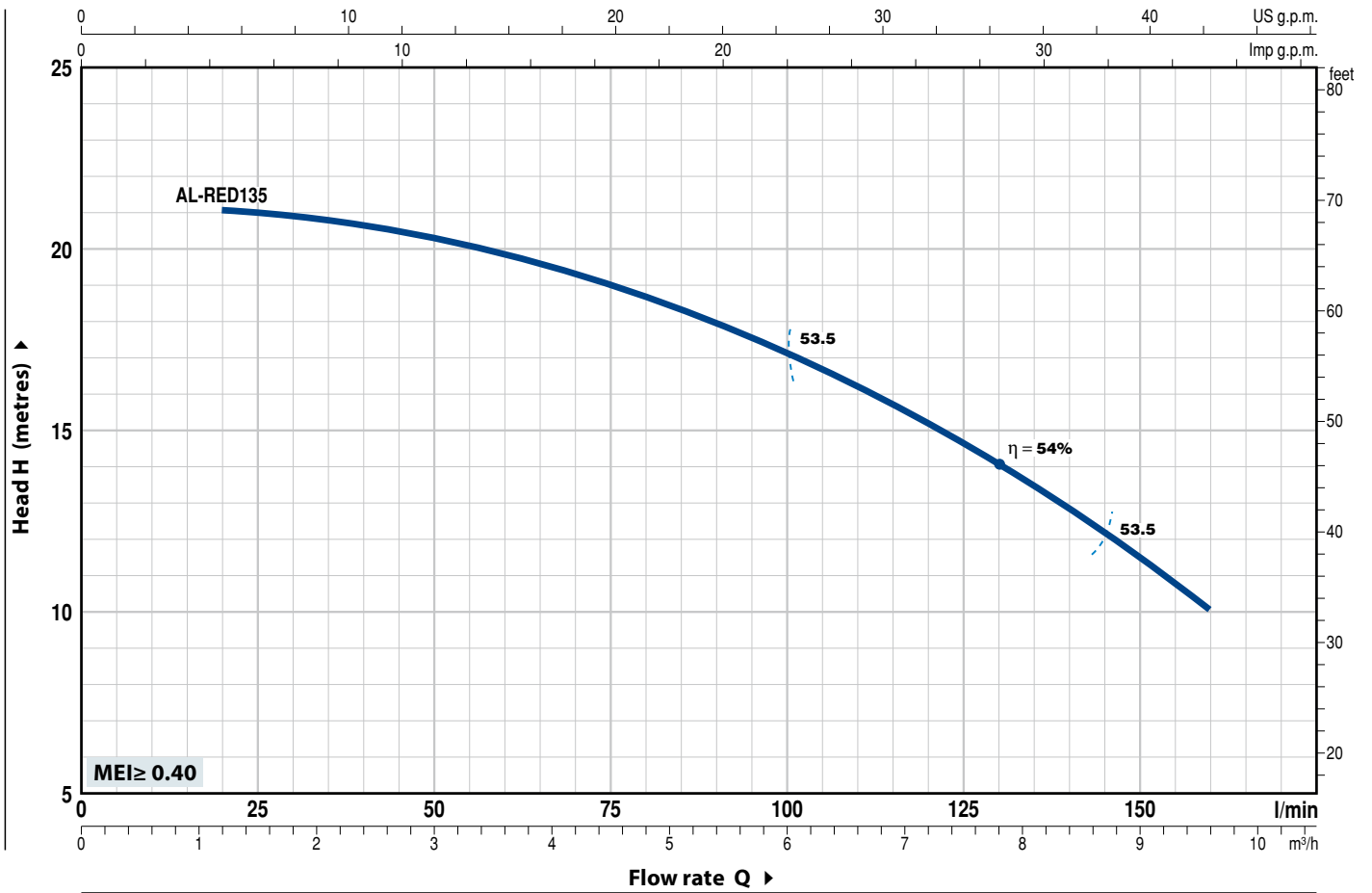
OPTIONS AVAILABLE ON REQUEST

- Special mechanical seal
- EN 10088-3 - 1.4401 (AISI 316) stainless steel pump shaft
- Other voltages or 60 Hz frequency
- IP X5 class protection

PT. OSMO MARINA MANDIRI
021 29070732 Hunting
info@osmomarina.com

CHARACTERISTIC CURVES AND PERFORMANCE DATA

50 Hz n= 2900 rpm HS= 0 m



MODEL		POWER (P ₂)		Q										
Single-phase	Three-phase	kW	HP		m ³ /h	0	1.2	2.4	3.6	4.8	6.0	7.2	8.4	9.6
				l/min	0	20	40	60	80	100	120	140	160	
AL-RED 135m	AL-RED 135	0.75	1	H metres	23	21	20.5	20	18.5	17	15	13	10	

Q = Flow rate H = Total manometric head HS = Suction height

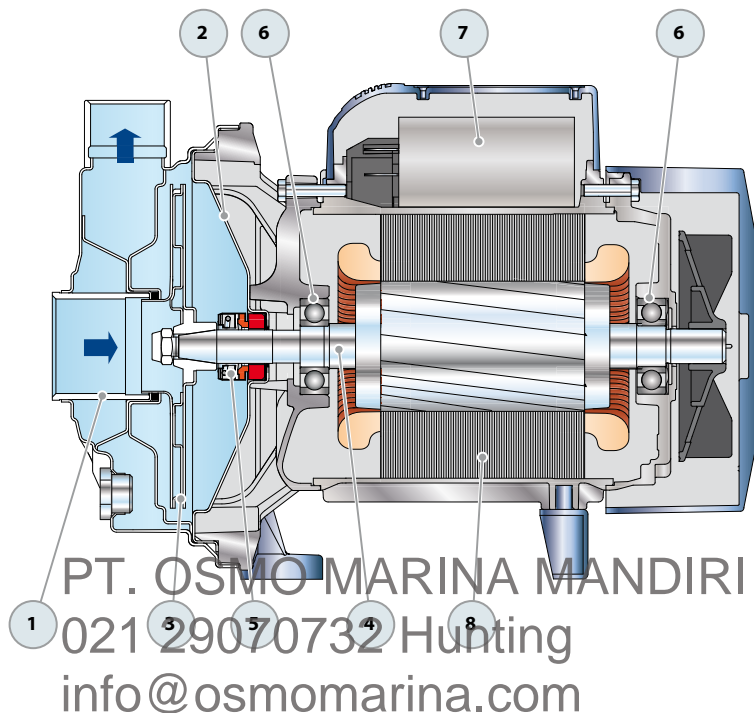
Tolerance of characteristic curves in compliance with EN ISO 9906 Grade 3B.

PT. OSMO MARINA MANDIRI
 021 29070732 Hunting
 info@osmomarina.com

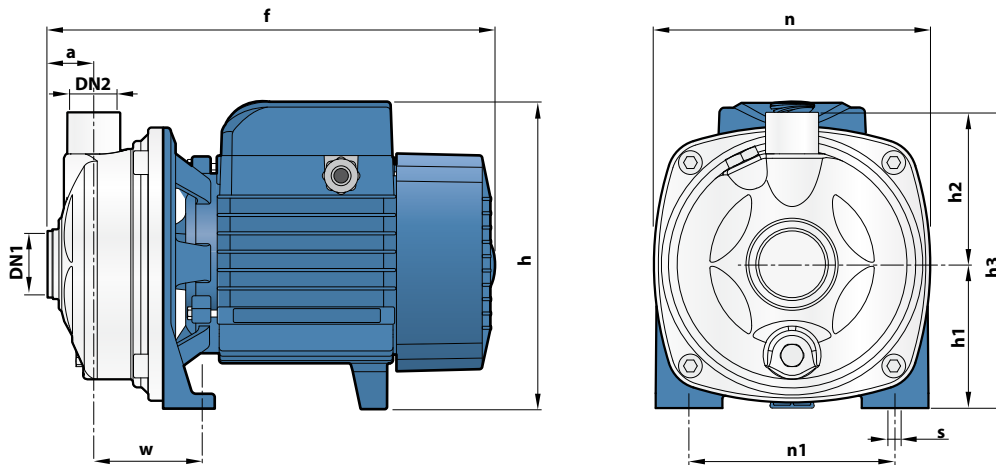
POS. COMPONENT

CONSTRUCTION CHARACTERISTICS

1	PUMP BODY	Stainless steel AISI 304 complete with threaded ports in compliance with ISO 228/1				
2	BODY BACKPLATE	Stainless steel AISI 304				
3	IMPELLER	Stainless steel AISI 304				
4	MOTOR SHAFT	Stainless steel EN 10088-3 - 1.4104				
5	MECHANICAL SEAL	Seal	Shaft	Materials		
		<i>Model</i>	<i>Diameter</i>	<i>Stationary ring</i>	<i>Rotational ring</i>	<i>Elastomer</i>
		AR-14	Ø 14 mm	Ceramic	Graphite	NBR
6	BEARINGS	6203 ZZ / 6203 ZZ				
7	CAPACITOR	Capacitance				
		<i>(230 V or 240 V)</i>	<i>(110 V)</i>			
		20 µF - 450 VL	60 µF - 300 VL			
8	ELECTRIC MOTOR	<p>AL-RED 135m: single-phase 230 V - 50 Hz with thermal overload protector incorporated into the winding. AL-RED 135: three-phase 230/400 V - 50 Hz.</p> <p>➔ The three-phase pump is fitted with a high performance motor in class IE2 (IEC 60034-30)</p> <ul style="list-style-type: none"> - Insulation: class F - Protection: IP X4 				



DIMENSIONS AND WEIGHT



MODEL		PORTS		DIMENSIONS mm										kg	
Single-phase	Three-phase	DN1	DN2	a	f	h	h1	h2	h3	n	n1	w	s	1~	3~
AL-RED 135m	AL-RED 135	1¼"	1"	31	296	206 *	97	103	200	186	135	73.5	10	9.1	9.0

(*) h=225 mm for single phase versions at 110 V

ABSORPTION

MODEL	VOLTAGE		
Single-phase	230 V	240 V	110 V
AL-RED 135m	5.0 A	4.8 A	10.0 A

MODEL	VOLTAGE					
Three-phase	230 V	400 V	690 V	240 V	415 V	720 V
AL-RED 135	3.1 A	1.8 A	1.0 A	3.0 A	1.7 A	0.9 A

PT. OSMO MARINA MANDIRI
 021 29070732 Hunting
 info@osmomarina.com